

DE ROSA

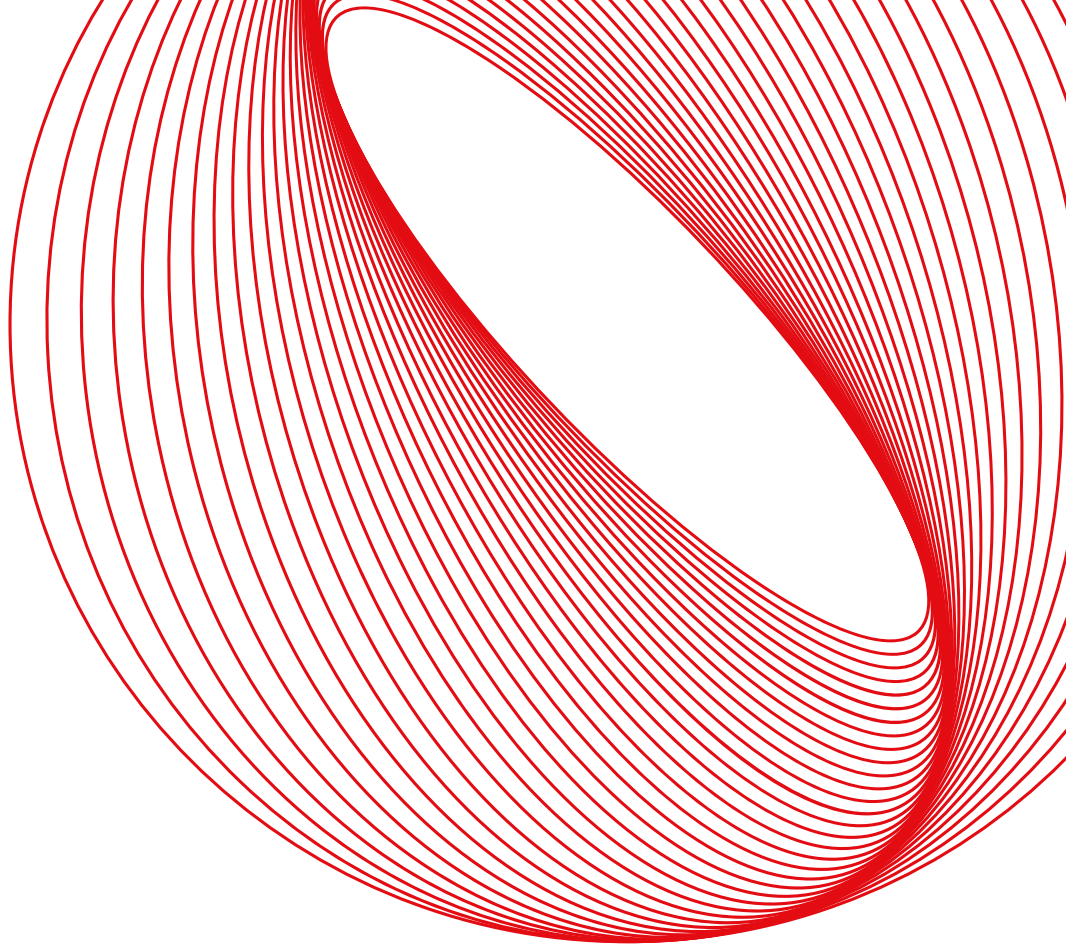
FEEL YOUR HEART



838

WELCOME INTO DE ROSA WORLD





The road is warming up, the days are getting longer, rides are becoming more frequent, and the legs are starting to spin...

Only one thing is missing: the right bike and our 838 is here for that.

Fast, responsive, and comfortably balanced.

Perfect for piling on the miles without giving up the fun.

It's not just an entry-level bike.

We designed it to be your first De Rosa the one that welcomes you into the world of high-performance bikes, a world that, trust us, you'll never want to leave.

We created it to be the bike you'll one day pass on to your son or daughter, hoping that one Sunday you'll find out who's got the stronger legs.

And we built it to be your second bike: high-performing, as only a De Rosa can be, yet with a reasonable investment.

8 3 8



EDGE

NATURAL EVOLUTION





The shapes remain the same—curved lines, agile design, decisive character. But now, the De Rosa 838 shows off a brand-new wardrobe: five colorways that speak of maturity, elegance, and personality.

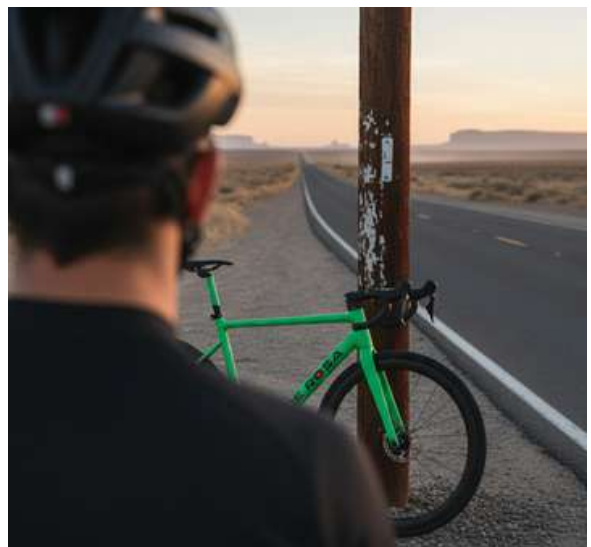
Mirage – a metallic silver that captures the light, enhancing every reflection and shadow.

Rouge – a rich, deep red that shouts passion with every pedal stroke.

Edge – a dark, refined grey with an underground charm, perfect for a discreet yet distinctive style.

Spectra – a pure white, as essential as a blank page on which to write new adventures.

Emerald – a bold green that doesn't go unnoticed, for those who love to stand out.







Bold, straightforward palettes designed to highlight the curves and the racing–comfort soul of the 838.

A functional design where every shade enhances the high-modulus carbon frame, reaffirming the balance between responsiveness and comfort that defines this model.

It's not just a color update. It's confirmation that the 838—the entry point into the De Rosa family—continues to evolve, growing with an elegance that sets a new standard in its category.

They've called it “the entry-level that doesn't look like one.”

And even now, with this new range of colors, the 838 keeps proving the label wrong. It's been described as the most beautiful way to start riding seriously—the bike that grows with you, the gateway to the De Rosa world.

And now, with this more mature, self-assured chromatic upgrade, it's ready once again to prove itself the right choice for those who accept no compromises—not even at the first pedal stroke.

838



ROUGE

WHAT YOU'LL LOVE

You'll love its natural feel on the road. Stiff when it needs to be, soft where it should. It never overdoes it, yet always responds with character. Every pedal stroke finds its answer—smooth, genuine—like a dialogue between you and the carbon.

You'll love the balance it conveys. Born to go far, yet never forgetting the thrill of acceleration. Comfort and performance live together in a frame that glides, supports, and gives back energy—without ever wearing you out.

You'll love its pure essence. Simple lines, invisible cable routing, harmonious proportions. It's a bike that speaks of Italian elegance, of precision, of a beauty that needs no explanation.

You'll love it because it has a soul. Every detail is deliberate, every curve tells a story of tradition. It's how DeRosa envisions lightness—not only technical, but emotional too—the kind you feel when you ride and everything else fades away.



DE ROSA

838

Characterized by a slightly sloping geometry, which ensures excellent balance during out-of-saddle efforts, the down tube stands out for its sinuousness and the bottom bracket area, elliptical and polished, ensures good rigidity.

The minimalist chainstays and the head tube, designed to fully integrate the cables, ensure a clean aesthetic and reduce aerodynamic impact.

specifiche tecniche | technical specifications

Size	BR cm	C cm	D°	E cm	F cm	G cm	STACK	REACH
46	50.5	41.2	74°50	6.9	10.6	57.2	50.5	36.4
50	52.8	41.2	74°10	6.9	12.5	57.4	52.7	37.7
52	54.5	41.2	73°70	6.9	14	58.9	54.5	38.9
54	56.5	41.2	73°30	6.9	16	60.0	56.5	39.6
56	58.3	41.2	72°90	6.9	17.8	60.6	58.5	40.3

Frame 1000gr

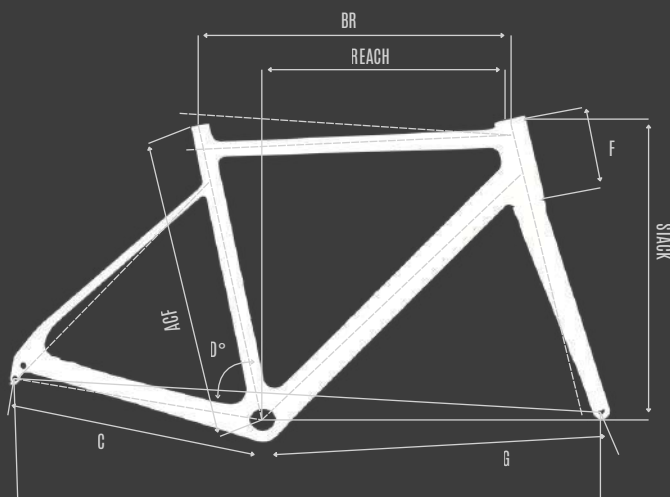
Fork 380gr

Headset Size 1-1/2" to 1-1/2"

BB Size 85.5 x46

Seatpost 27.2

Tyre clearance 30



Assembly

model: De Rosa 838

frame: Carbon

sizes: 42.5 - 44.5 - 46.5 - 48 - 50.5 - 52.5 - 54.5 - 56.5

groupset: compatible with the main latest generation groupsets.

METRON 5D EVO integrated stem/handlebar

100X42 110X42 100X40 120X42

De Rosa dedicated seatpost

De Rosa black tape

Saddle: Selle Italia Official De Rosa

Starting price €3,800 (italian VAT included)

Frameset

For those who want to assemble their own 838, piece by piece:

838 frame + carbon fork.

The right choice if you have a limited initial budget but don't want to give up a high-quality frame.

Recommended setups

For the balance between performance and reliability

Groupset: Shimano 105 Di2 12v

Wheels: Fulcrum wind

For a good compromise between performance and accessibility

Groupset: Sram Force

Wheels: Vision SC 45 DISC

Delivery times

Delivery can vary from 4 to 8 weeks depending on customizations, the requested setup and shipping times.



Spectra white



Edge grey



Mirage silver



Rouge



Emerald green



DE ROSA

DE ROSA

Via Bellini, 24 | 20095
Cusano Milanino (MI) Italy

www.derosa.it
help@derosa.it

[@derosabikes](https://www.instagram.com/derosabikes)
[@familyderosa](https://www.instagram.com/familyderosa)

+39 02 61 95 171
+39 351 81 36 403

© 2026 De Rosa s.r.l. All rights reserved.
Reproduction, distribution, or modification, even in part, of this document is prohibited without the prior written authorization of De Rosa s.r.l.
De Rosa® is a registered trademark.